



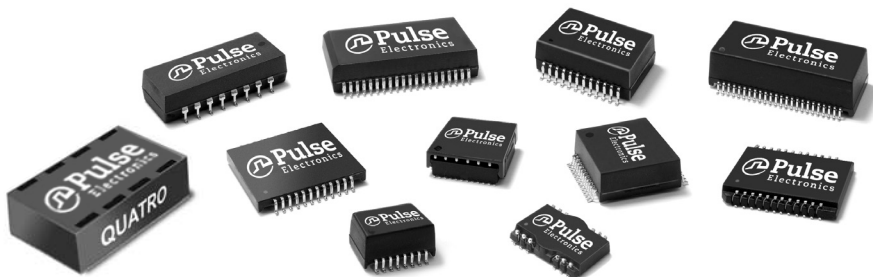
☒ Ideal for Industrial Ethernet applications with operating temperature of -40C to 85C. Contact Pulse Electronics for 120C rating.

☒ Available for PoE and PoE+ applications

☒ Custom design options available (LED, pinout).

☒ P = PoE, PP = PoE+, VM = Vertical Mount, PIP = Pin in Paste, LP = Low Profile

MAGNETICS				CONNECTORS WITH INTEGRATED MAGNETICS			
100BASE-TX		1000BASE-T		100BASE-TX		1000BASE-T	
SINGLE:		SINGLE:		1X1:		1X1:	
HX1098NL	HX1260NL	HX5004ENL	HX5149NL	JX00-0027NL	JXR1-0015NLP	JXD1-0001NL	JXKM-0004NL
HX1148NL	HX2019NL	HX5008NL	HX5181NL	JX10-0045NL	JXKO-0125NLP	JXD1-0002NL	JXKM-0013NL
HX1188NL	HX2326NLP	HX5019FNLP	HX5610NL	JXR0-0001NLP	JXKO-0138NLP	JXD3-0001NLM	JXKO-0136NL
HX1217NL	HX0068ANL	HX5062NL	HX6062NLP	JXR0-0005NLP	JXD1-0005NLP	JXD3-0002NLM	JXKO-0161NL
		HX5120NLP	HX6096NLP	JXR0-0011NLP	JXD1-0006NLP		JXKO-0190NLP
			HX6098NLP	JXR0-0015NLP	JXD2-00010NLM		
				JXR1-0001NLP	JXD2-00011NLM		
				JXR1-0005NLP	JXD3-0003NLM,P		
				JXR1-0011NLP	JXD3-0004NLM,P		
DUAL:		DUAL:		1XN:		1XN:	
HX1294NL		HX5014NL	HX5201NL	JX80-0019NL (1x2)	JX80-0037NL (1x2)	JX1N-0033NL (1x4)PP	
HX1305FNL		HX5020NL	HX6080NLP	JX80-0022NL (1x4)	JX8064D668ANL (1x6)	JXGO-0098NL (1x4)	
		HX5200NL	HX6101NL	JX80-0033NL (1x4)	JX8064D688ANL (1x8)	JXGO-0129NL (1x2)	
QUAD:		QUAD:		2XN:		2XN:	
HX1234NL		HX5400NLP		JX20-0114NL (2x4)	JX20-0206NL (2x4)	JX0B-3051NL (2x4)PP	JXCO-1015NL (2x1)
HX1259NLP		HX5401NL		JX20-0115NL (2x6)	JX20-0252NL (2x2)	JXCO-0351NL (2x2)	JXCO-1016NL (2x1)
				JX20-0116NL (2x8)	JX20-0254NL (2x4)	JXCO-0376NL (2x2)	

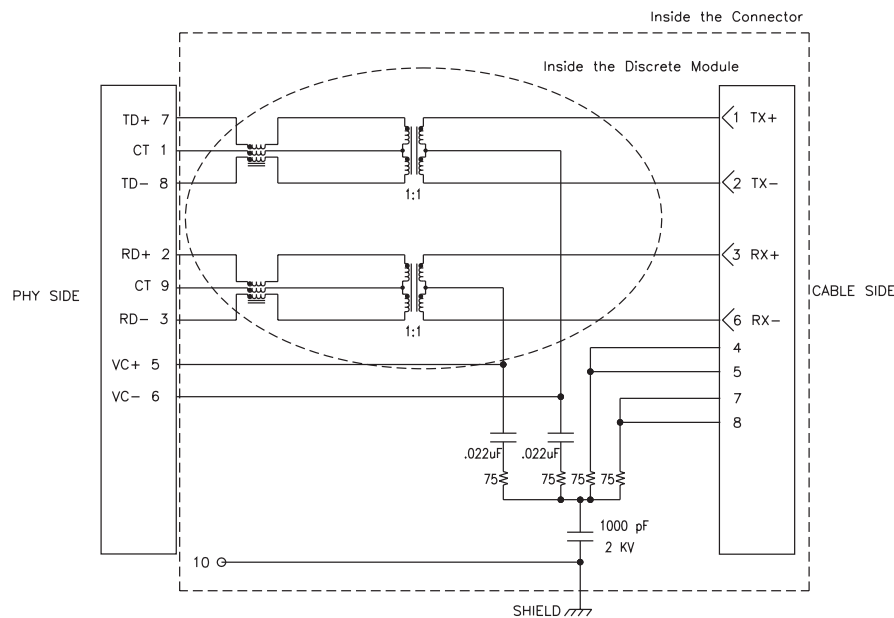




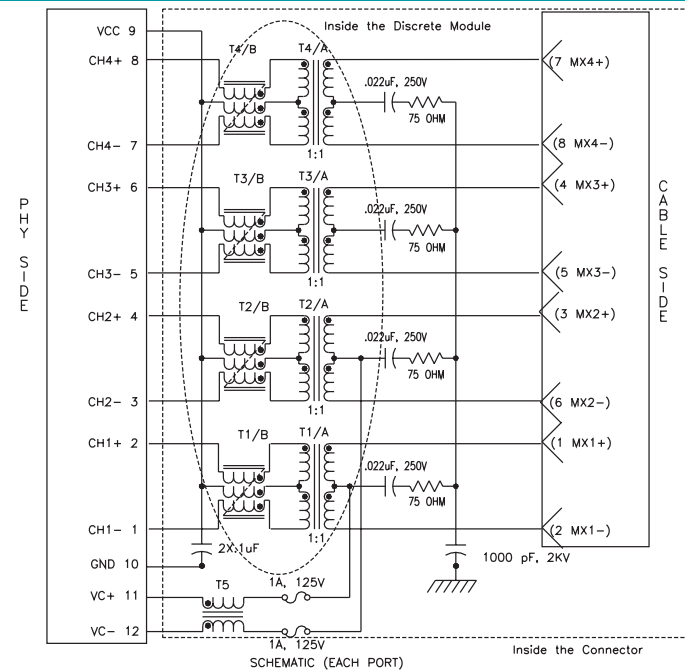
Application Notes

- Layering ground planes is advisable. Route connector/discrete module ground pins to chassis/analog ground if possible.
- Keep signal traces from PHY to connector/discrete module as short as possible. If traces exceed 3-4 inches, pay close attention to line impedance imbalance.
- Using 75Ω resistors and high voltage cap to chassis ground to terminate Cable side CTs is advisable for best EMI performance (included in most connector solutions).
- Follow PHY manufacturer's application notes for further layout considerations.

100BASE-TX APPLICATION CIRCUIT



100BASE-T APPLICATION CIRCUIT



For More Information

Pulse Worldwide Headquarters
12220 World Trade Drive
San Diego, CA 92128
U.S.A.

Pulse Europe
Zeppelinstrasse 15
71083 Herrenberg
Germany

Pulse China Headquarters
B402, Shenzhen Academy of
Aerospace Technology Bldg.
10th Kejian Road
High-Tech Zone
Nanshan District
Shenzhen, PR China 518057
Tel: 86 755 33966678
Fax: 86 755 33966700

Pulse North China
Room 2704/2705
Super Ocean Finance Ctr.
2067 Yan An Road West
Shanghai 200336
China
Tel: 86 21 62787060
Fax: 86 2162786973

Pulse South Asia
135 Joo Seng Road
#03-02
PM Industrial Bldg.
Singapore 368363

Pulse North Asia
3F, No. 198
Zhongyuan Road
Zhongli City
Taoyuan County 320
Taiwan R. O. C.
Tel: 886 3 4356768
Fax: 886 3 4356823 (Pulse)
Fax: 886 3 4356820 (FRE)

Tel: 858 674 8100
Fax: 858 674 8262

Tel: 49 7032 78060
Fax: 49 7032 7806 135

Tel: 65 6287 8998
Fax: 65 6287 8998

Performance warranty of products offered on this data sheet is limited to the parameters specified. Data is subject to change without notice. Other brand and product names mentioned herein may be trademarks or registered trademarks of their respective owners. © Copyright, 2019. Pulse Electronics, Inc. All rights reserved.